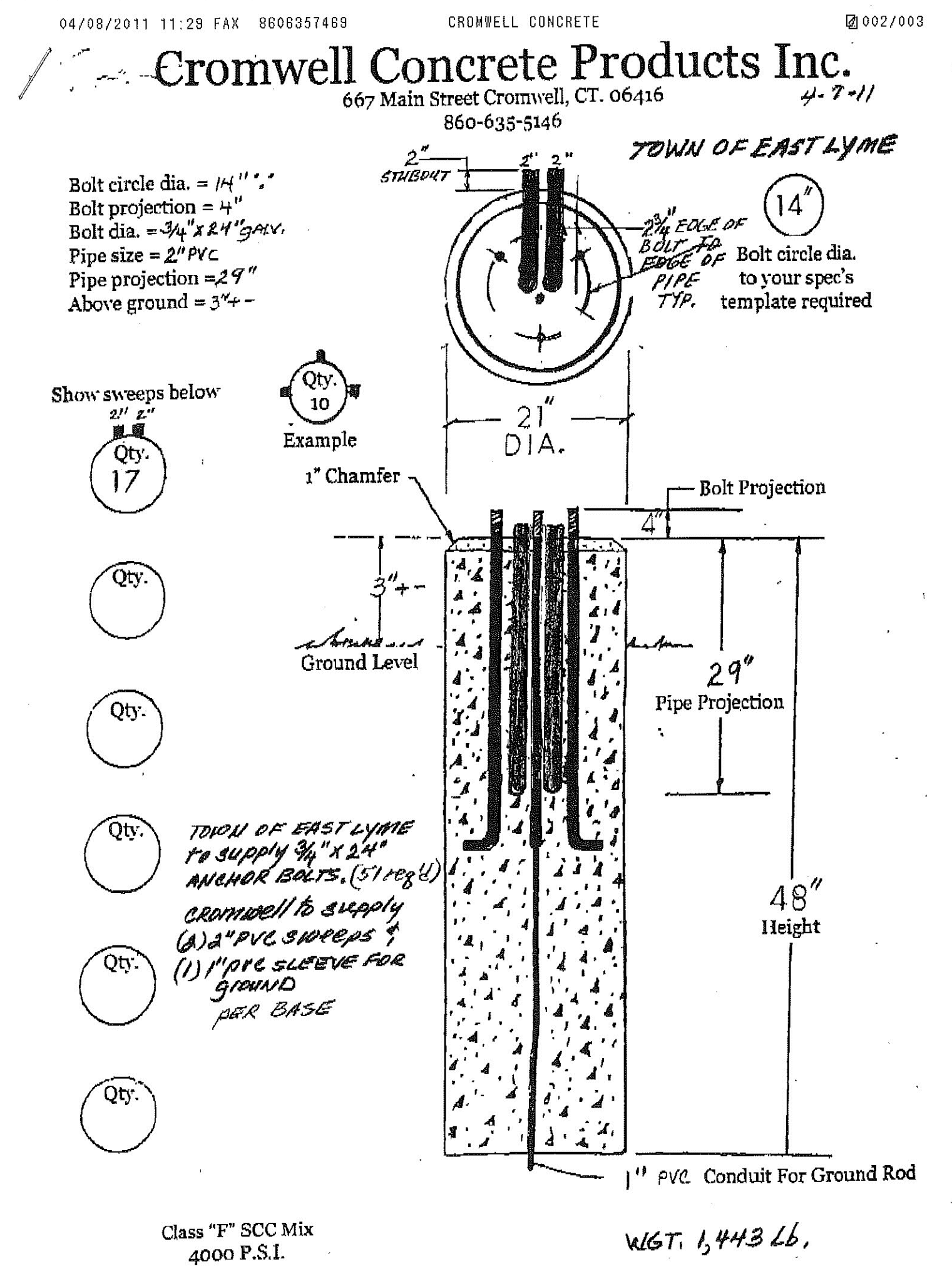
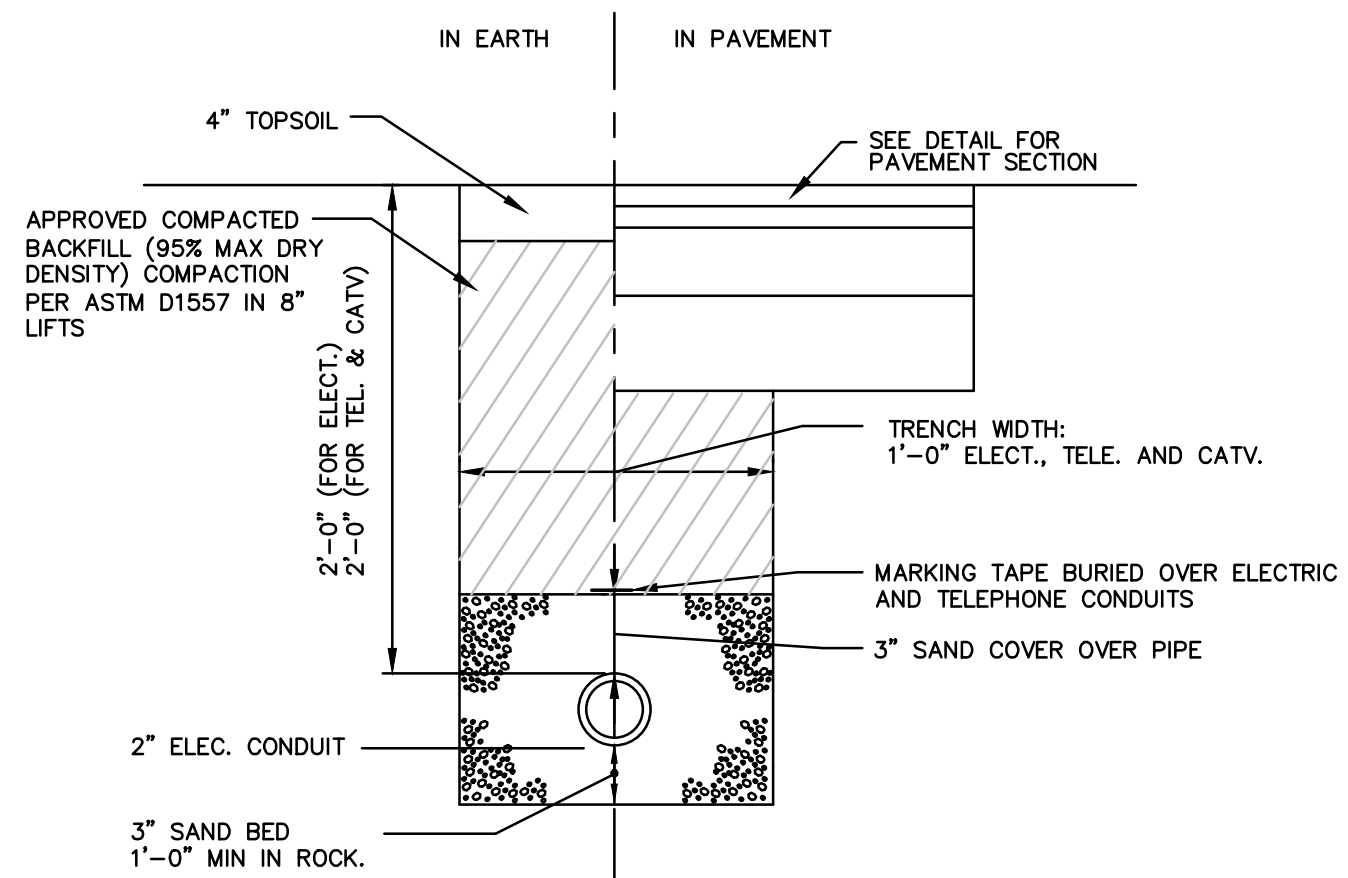


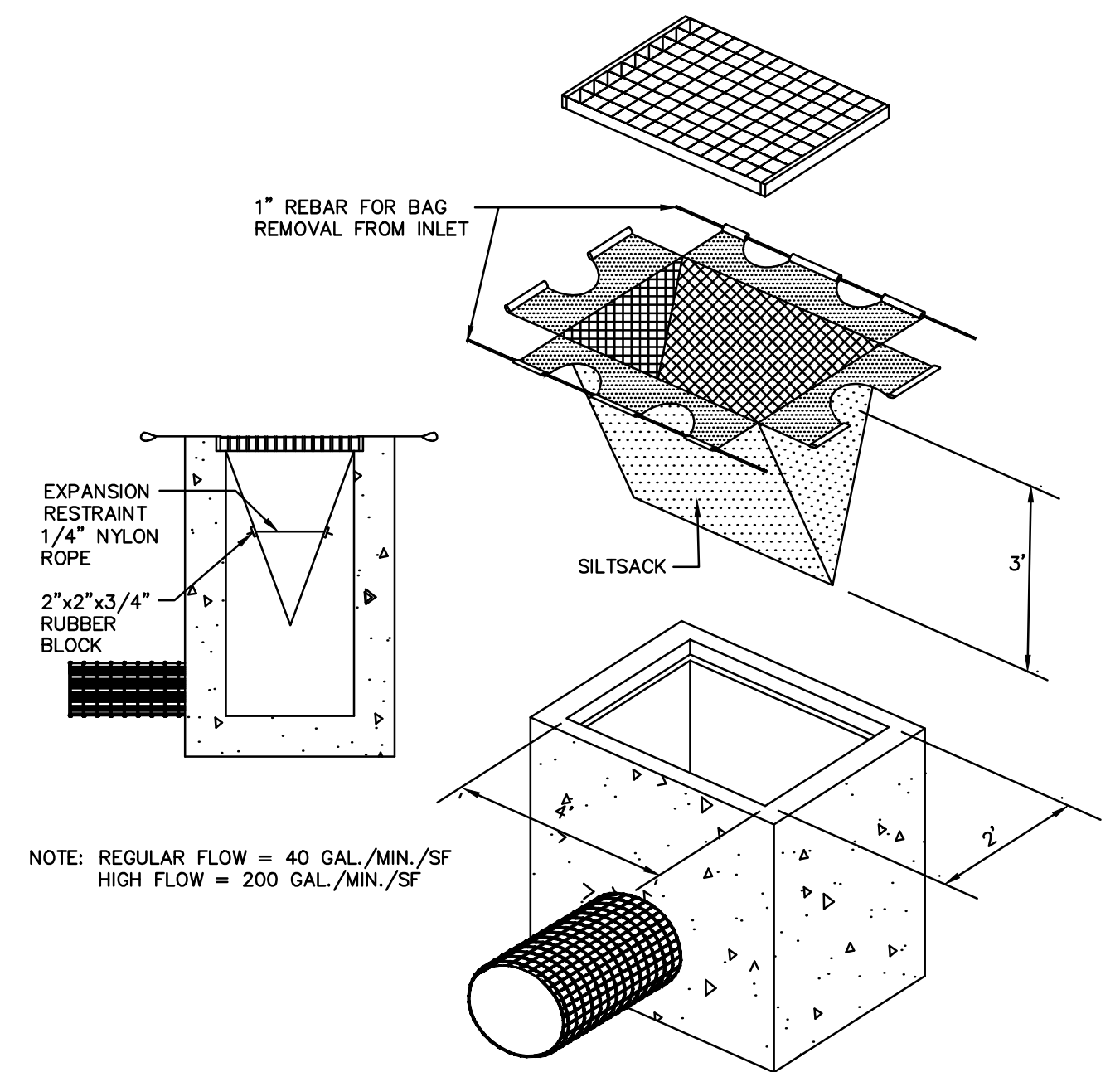
**LIGHT POLE DETAIL**



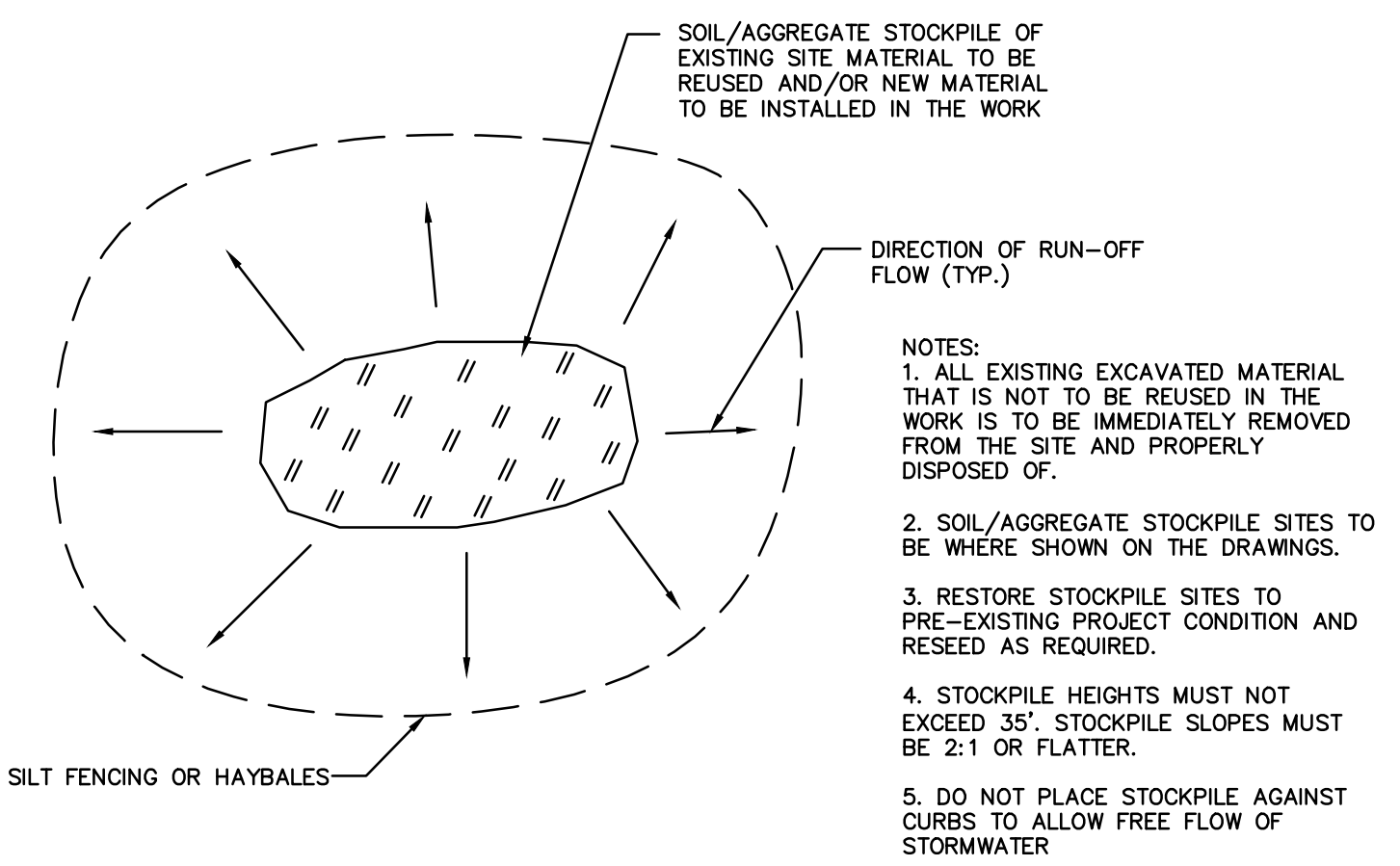
**21" ROUND CONCRETE BASE FOR LIGHT POLE**



**ELECTRICAL TRENCH DETAIL**



**GEOTEXTILE SACK DETAIL**



**MATERIALS STOCKPILE DETAIL**

**HOPE STREET PARKING LOT IMPROVEMENTS**  
 EAST LYME, CONNECTICUT

PREPARED BY  
 THE EAST LYME  
 ENGINEERING DEPARTMENT

**DETAIL SHEET**

DATE: JUNE 20, 2011

Drawn By: PJG  
 Checked By: BAS

Dwg. No.: D-2  
 Sheet No.: 6